

# PT245

TRUCK MOUNTED TELESCOPIC PLATFORMS

## STANDARD FEATURES

### Performance

- Aluminium Basket
- Automatic Basket Leveling
- Lighting on Basket
- Engine Start/Stop System (Vehicle dependent)
- Electronic Card Controlled Operation
- Proportional Joystick Controller
- Buzzer
- Basket and Turret Control Panels
- Rotating beacon on Turret
- All-terrain Outrigger Swivels
- Non-slip Body
- Toolbox (2 pieces)

### Safety

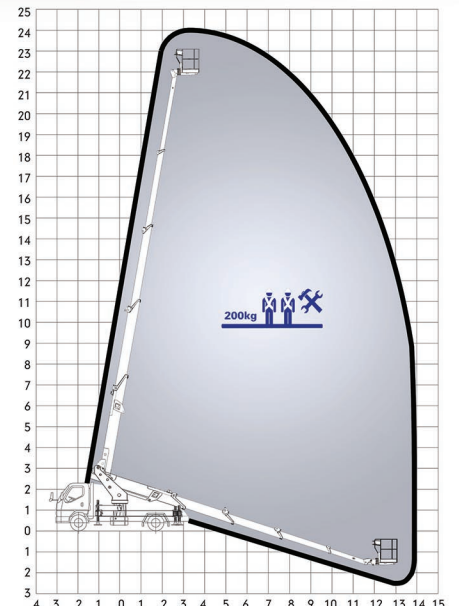
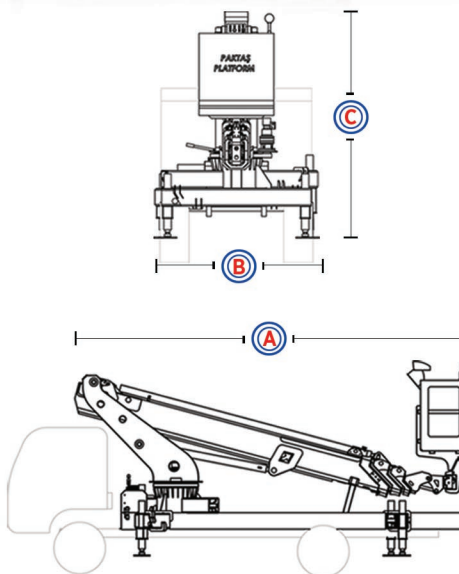
- TS-EN 280 + A1 / CE Conformity
- Emergency Bypass® System
- Emergency Stop Buttons on Control Panels
- Pressure Holding Valves and Interlocking Valves against hose blasts
- High Pressure Relief Valve
- Emergency Descend Hand Pump
- Electronic Operation Diagram Limiter

## OPTIONAL FEATURES

- Fly Boom\*
- Fly Boom Rotation (180° Horizontal)
- 70000V Insulated Fiberglass Basket
- Basket Rotation
- Steel Basket
- Basket Load Cell
- 110V/220V/380V Socket in Basket
- Hanging Basket (Foldable)
- Base-Basket Radio Communication
- Extra Basket Capacity
- Anemometer on Basket
- Toolbox in Basket
- Continuous Turret Rotation
- Operator Seat
- Operator Cabin
- Wireless Remote Joystick Controller
- Hydro mechanical Control System
- External AC Powerpack
- Emergency Descend DC Powerpack
- Tilt Sensor
- Digital LED Screen on Control Panel
- Nonslip Aluminium Body
- Additional Toolboxes (+2)
- Additional Lighting
- Special Paint Color



TECHNICAL DATA	PT 245
Operating Height	24 m
Platform Height	22 m
Lateral Outreach	14 m
Turret Rotation	270°
Basket Capacity (kg)	200 kg
Basket Dimensions	750 x 1400 x 1100 mm
Ⓒ Stowed Height	3100 mm
Ⓐ Stowed Length	5610 mm
Ⓑ Stowed Width	2200 mm
Width Outriggers Extended	5000 mm
Control System	Electronic Proportional Joystick
Weight	4700 kg



Technical specifications may change depending on vehicle.  
All technical specifications are subject to change without notice.  
\*Changes operating height.